



*The catalog of products for the visually impaired and hard of hearing*

**1-800-468-4789**

*Toll Free Monday – Friday 9am-5pm Central*

## **INSTRUCTIONS Talking Scale with 440 Pound Capacity**

**LS&S Item # 481031**

### **INSERTING BATTERIES**

- 1) Remove scale from manufacturer box & protective packing and flip scale over, so that the 4 legs (found on each corner of the scale) are facing upward. Notice the two battery compartments, located on both the left and right side of the scale's underside.
- 2) To open the each battery door, there is a half-circle shaped latch which must be depressed downward to open this battery door.
- 3) With the battery doors removed, insert the 2 "AA" batteries into the battery slot. Please ensure that the positive end of the "AA" battery (with the "node") is facing upward, towards the circular speaker and the switches (also on the underside of this scale).

### **PREPARE SCALE SETTINGS**

- 1) With the scale flipped over, with its underside facing upward, locate the circular speaker. (Located just behind or opposite of the scale's LED display). Position the scale so that the circular speaker is located at the bottom edge of the scale. The two slide switches are found to the right of the speaker, about 1 inch away.
- 2) The two slide switches include:
  - a) Top switch: Volume ON (left slide position) & OFF (right slide position).
  - b) Bottom switch: Kg (Kilograms, left position) vs. LB (Pounds, right position).

## USING THE SCALE

- 1) With the batteries inserted, and switches set, flip the scale over with the four rubber feet firmly on the floor, and position the scale on a flat, vibration-free surface, within a moisture-free environment.
- 2) To activate the scale, simply tap it in its center with your foot. Once you tap the scale, it will respond by stating: "OK, *Please Wait*". Please be patient, as this scale requires between 30-60 seconds to calibrate itself.
- 3) Once ready, the scale will prompt you again, stating "*O, Please step on the scale.*". Step onto the scale and remain steady. Within a few seconds, your weight will be announced and displayed.
- 4) When you step off the scale, it will automatically turn off.

If you require need assistance on this product, please feel free to call LS&S Customer Service, toll-free, 800 468-4789, from 9am-5pm Central time; Monday-Friday.

### I. Mode Selection (See prev. page for switch locations)

1. Turn scale over to set desired modes.
2. Select between kilograms (kg) / or pounds (lb)
3. Select Unlock Mode (UL) or Lock Mode (L)
  - Lock Mode (L): Turns talking function ON and keeps the weight value locked on the LCD for a few seconds.
  - Unlock Mode (UL): Turns talking function OFF and displays the weight in real-time on the LCD

### II. Weighing

1. Tap on the scale once with your foot to turn on.
2. Wait until [0.0] is displayed, (If talking function is enabled the scale will say "OK, please step on the scale").
3. Step onto the scale and wait for readout to stabilize.
4. The weight will be displayed on LCD (If talking function is enabled the scale will speak the wait)

#### Note:

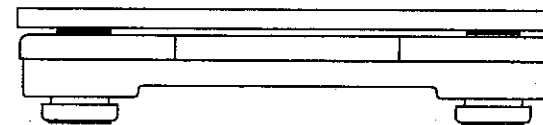
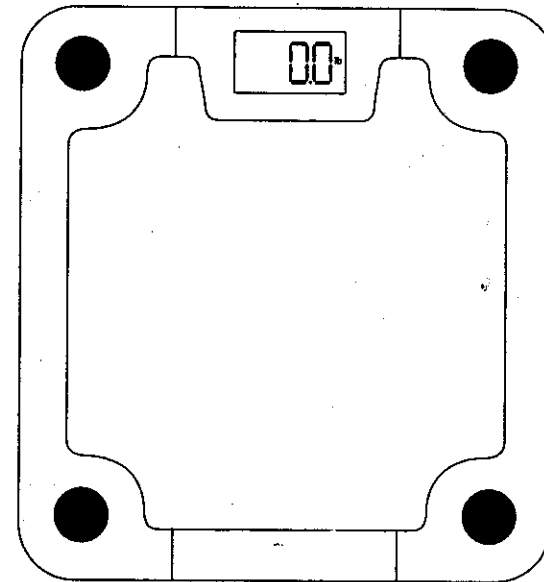
The primary reason for innaccuracy or malfunction are low batteries, overload or operating on an unstable surface. Please keep this in mind and maintain and operate your scale properly. This scale is a precision instrument and must be handled with care.

### V. Specifications

Capacity: 440lb ; 200kg  
Graduation: 0.2lb; 0.1kg  
Units: pounds (lb) ; kilograms (kg)  
Display: 4 digits 1/2" in height

## AMW-440T Talking Bathroom Scale

440lb x 0.2lb

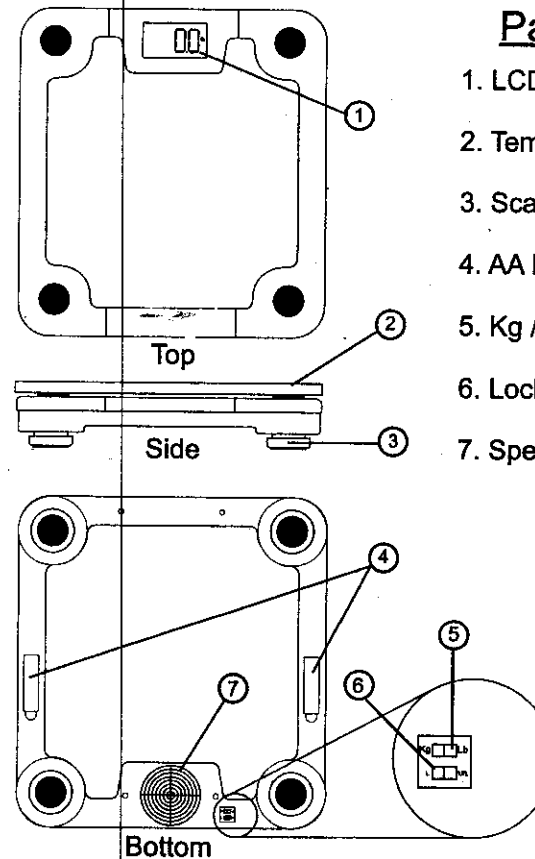


## USER'S MANUAL

**AMW-440T User's Manual**  
**440lb x 0.2lb**

Thank you for purchasing the AMW-440T Talking Bathroom Scale. With normal care and proper treatment, it will provide you with years of reliable service. Please read all operating instructions carefully before using the scale.

- Avoid any exposure to extreme heat or cold. Your scale will work better when operating in normal room temperature. Always allow the scale to acclimate to normal room temperature for at least an hour before use.
- Give the scale sufficient warm up time before use. Usually 30 to 60 seconds to give the internal components time to stabilize.
- Keep your scale in a clean environment. Dust, dirt, moisture, vibration, air currents, or a close proximity to other electronic equipment can cause an adverse effect on the reliability and accuracy of your scale.
- Handle with care. Gently apply all items to be weighed onto the weighing surface. Although this scale is designed to be quite durable, avoid rough treatment as this may permanently damage the internal sensor.
- Do not shake, drop, or otherwise shock the scale. This is a precision instrument and must be handled with extreme care.
- Only operate the scale on a stable, vibration free surface.
- Always store in a dry place to avoid moisture accumulation on internal components.



**Parts Description**

1. LCD Display
2. Tempered Glass
3. Scale Feet
4. AA Battery Compartments
5. Kg / Lb Selector
6. Lock / Unlock Mode Selector
7. Speaker

**I. Setup**

Remove the main unit from the package. Insert two AA batteries (4 included) into each AA battery compartment (see above). Lay the scale down onto a flat and stable surface. Scale is now ready for use. See next page for Operating Instructions.